

OPERATION QUICK GUIDE



Camera Callup

Enter the desired camera number and then press *CAMERA*.
Or press *CAMERA*, enter the camera number, then press *ENTER*.

Monitor Callup

Enter the desired monitor number and then press *MONITOR*.
Or press *MONITOR*, enter the monitor number, then press *ENTER*.

PreSet (PreShot)

Enter the desired PreSet number and then press *PRESET*.
Or press *PRESET*, then enter the PreSet number, then press *ENTER*.

Soft Key Functions

The bottom line of the display shows the function associated with the soft keys. Scroll through these functions using the **FUNCTION** key.

Cam and Mon

The top line of the display always shows the current camera and monitor.

CLEAR

Use the **CLEAR** key to cancel or erase a numeric entry or back out of a menu selection.

ENTER

Use the **ENTER** key to complete a numeric entry and issue the command.

CAMERA

Use the **CAMERA** key to select the desired camera.

Soft Keys

Use the soft keys to select the function shown on the bottom of the display.

FUNCTION

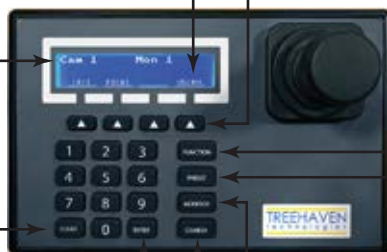
Use the **FUNCTION** key to scroll through the top level menus.

PRESET (PreShot)

Use the **PRESET** key to select the desired PreSet.

MONITOR

Use the **MONITOR** key to select the desired monitor. Used when the RVS3000USB is connected to a system controller.



NOTES:

- THE RVS3000USB MUST BE CONNECTED TO THE 6V POWER SUPPLY PROVIDED BY TREEHAVEN TECHNOLOGIES.
- CAN BE PLUGGED DIRECTLY INTO ANY MODEL OF TREEHAVEN TECHNOLOGIES FIELD BOX CAMERA SUPPLY.
- ON EXISTING INSTALLATIONS USING DIA-01 POWER SUPPLIES, THE DIA-01 MUST BE REPLACED WITH THE POWER SUPPLY AND JUNCTION BOX PROVIDED BY TREEHAVEN TECHNOLOGIES.
- THE COILED DATA CABLE PROVIDED WITH THE JPD SERIES JOYSTICK CONTROLLERS CANNOT BE USED WITH THE RVS3000USB. USE THE CAT5 MODULAR DATA CABLE PROVIDED WITH THE RVS3000USB.

THE INFORMATION CONTAINED IN THIS DOCUMENT IS SUBJECT TO CHANGE WITHOUT NOTICE. TREEHAVEN TECHNOLOGIES, INC., SHALL NOT BE LIABLE FOR ERRORS CONTAINED HEREIN OR FOR CONSEQUENTIAL DAMAGES IN CONNECTION WITH THE FURNISHING, PERFORMANCE, OR USE OF THIS MATERIAL.

TREEHAVEN TECHNOLOGIES, INC.

24 VILLAGE POINTE DRIVE
POWELL, OH 43065

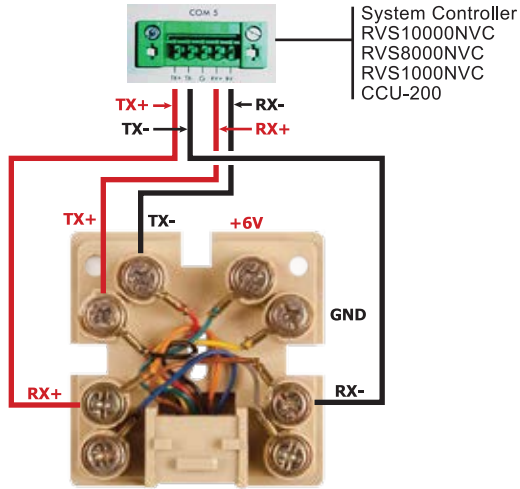
PHONE: 614.791.8843
FAX: 614.789.0252

WWW.TREEHAVENVISION.COM

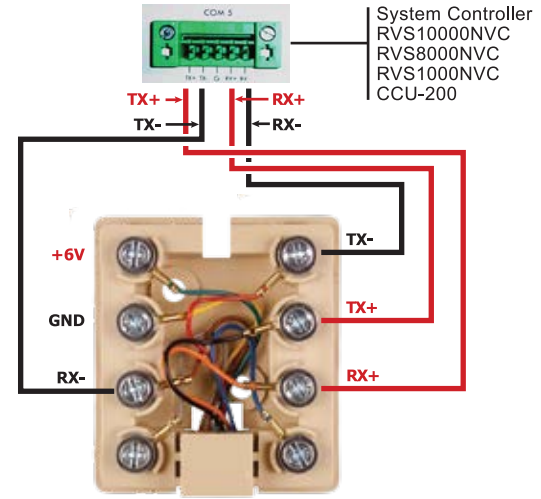
Title			
OPERATION AND INSTALLATION QUICK GUIDE, RVS3000USB CAMERA CONTROLLER			
Size	A	Number	RVS3000USB
			Rev C
Date	2/12/15	Drawn by	SC
			Page 1 of 2

INSTALLATION QUICK GUIDE

JPD200 Mode



JPD200 Mode

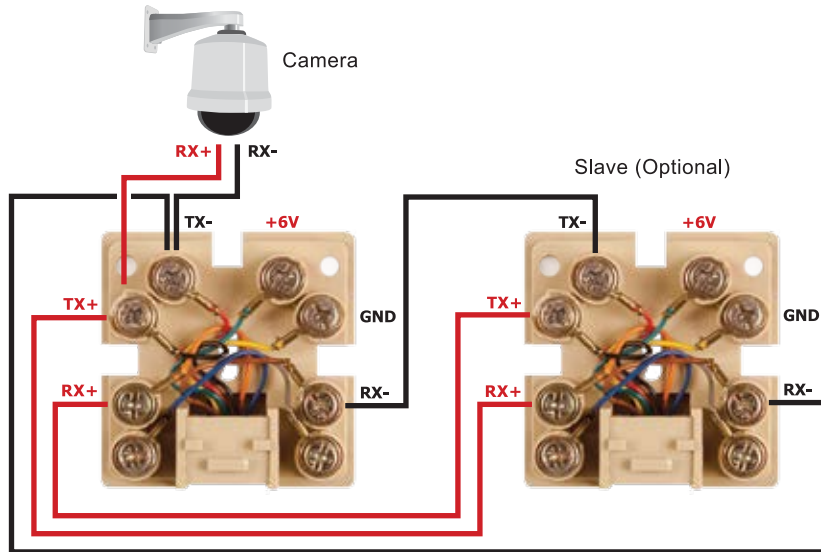


NOTICE:

One of two power supply configurations will be provided with your joystick camera controller

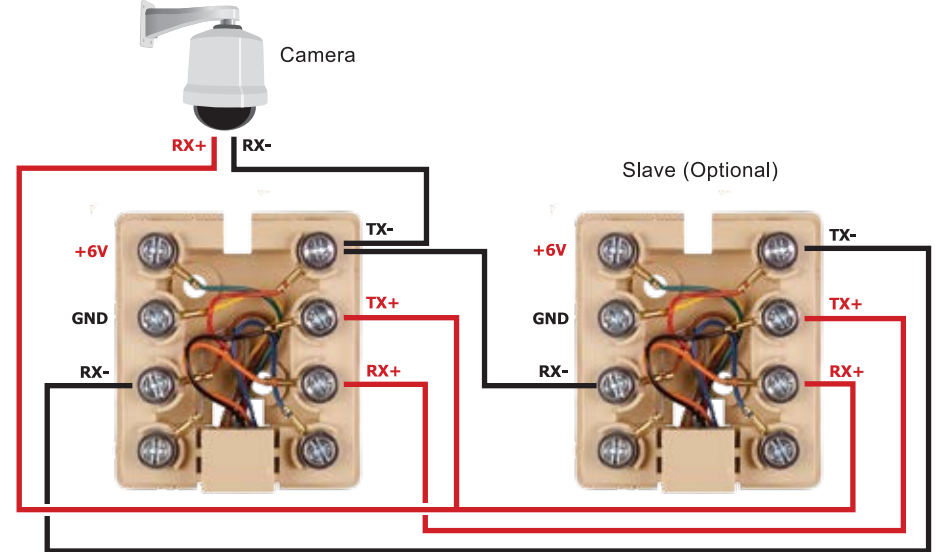
LEGACY POWER SUPPLY CONFIGURATIONS

JPD101 Mode



1/1/15 POWER SUPPLY CONFIGURATIONS

JPD101 Mode



NOTES:

- THE RVS3000USB MUST BE CONNECTED TO THE 6V POWER SUPPLY PROVIDED BY TREEHAVEN TECHNOLOGIES.
- CAN BE PLUGGED DIRECTLY INTO ANY MODEL OF TREEHAVEN TECHNOLOGIES FIELD BOX CAMERA SUPPLY.
- ON EXISTING INSTALLATIONS USING DIA-01 POWER SUPPLIES, THE DIA-01 MUST BE REPLACED WITH THE POWER SUPPLY AND JUNCTION BOX PROVIDED BY TREEHAVEN TECHNOLOGIES.
- THE COILED DATA CABLE PROVIDED WITH THE JPD SERIES JOYSTICK CONTROLLERS CANNOT BE USED WITH THE RVS3000USB. USE THE CAT5 MODULAR DATA CABLE PROVIDED WITH THE RVS3000USB.

THE INFORMATION CONTAINED IN THIS DOCUMENT IS SUBJECT TO CHANGE WITHOUT NOTICE. TREEHAVEN TECHNOLOGIES, INC., SHALL NOT BE LIABLE FOR ERRORS CONTAINED HEREIN OR FOR CONSEQUENTIAL DAMAGES IN CONNECTION WITH THE FURNISHING, PERFORMANCE, OR USE OF THIS MATERIAL.

TREEHAVEN TECHNOLOGIES, INC.

24 VILLAGE POINTE DRIVE
POWELL, OH 43065

PHONE: 614.791.8843

FAX: 614.789.0252

WWW.TREEHAVENVISION.COM

Title

OPERATION AND INSTALLATION
QUICK GUIDE, RVS3000USB
CAMERA CONTROLLER

Size	A	Number	RVS3000USB	Rev	C
Date	2/12/15	Drawn by	SC	Page	2 of 2