



RVSFB120X

Features:

- Multi-level surge suppression on data, voice and power lines
- Plug-in connection for joystick controller
- Manual switch to select either joystick, laptop or remote Operations Center PTZ control
- AC receptacle for local test monitor
- Available with NEMA 4X enclosure
- Small footprint: 6.88" W x 8.75" H x 6" D
- Power On/Off switch

Electrical:

AC Input Voltage: 120VAC 50/60 Hz, Fused 2ASB
 Dome Power Output: 24V, 80W, 50/60 Hz

Power Transformer:

- Power Rating: 80 VA
- 4000VRMS Hipot
- Class F insulation (155 Degrees C)
- Agency Certifications
 - UL 1446 E66312
 - UL recognized to UL 506 / UL 5085-2, File # E63829
 - CSA certified to C22.2 No 66.1, File # 221070
 - VDE certified to VDE 0805 / EN 60950, File # 1448

Surge Suppression Data Ports:

- Peak Surge Current (8 x 20 μ S): 10kA
- Response Time: < 1 nS
- Voltage Clamp: 6V
- Technology: Hybrid
- Resistance: 5.4 Ω
- Impulse Life (10/1000 μ S 500A): 400 times
- EFT IEC 1000-4-4 and IEC 1000-4-2

Surge Suppression Video Ports:

- Peak Surge Current (8 x 20 μ S): 10 kA
- Response Time: < 1 nS
- Voltage Clamp: 8V
- Technology: Hybrid
- DC Resistance: 2.7 Ω
- Impulse Life (10/1000 μ S 500A): 400 times
- EFT IEC 1000-4-4 and IEC 1000-4-2

Surge Suppression AC Main:

- Peak Pulse Current (8 x 20 μ S): 4500A
- Peak Pulse Energy (10 x 1000 μ S): 75J
- Max Clamping Voltage (8 x 20 μ S): 710V

PTZ Data Input:

Joystick: RS-422, Rx+, Rx-, Tx+, Tx-
 PC: RS-232, Tx, Rx, Gnd, DCE
 Remote Control: RS-422, Rx+, Rx-, Tx+, Tx-

Dome:

RS-422/485, Rx+, Rx-, Tx+, Tx-

Video:

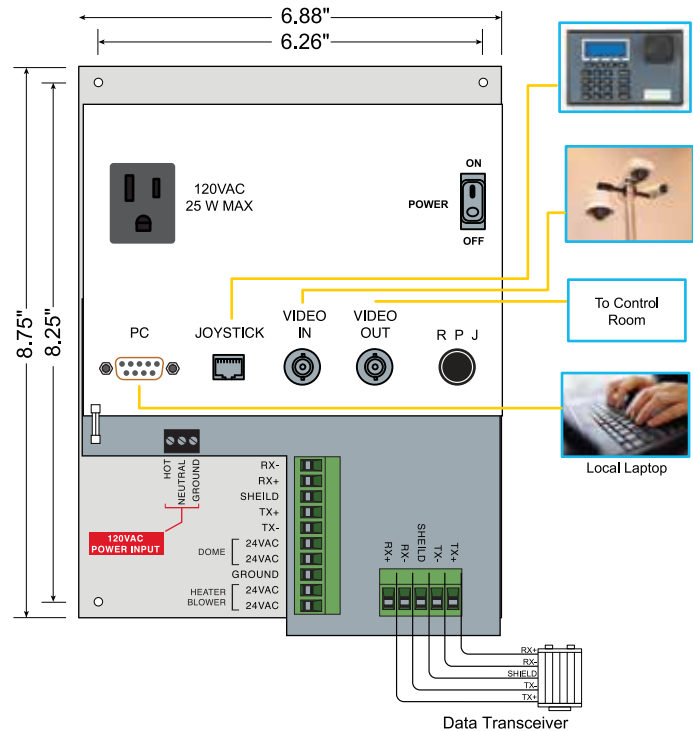
Video In: BNC, 75 Ohms
 Video Out: BNC, 75 Ohms

Mechanical:

Dimensions (without enclosure):
 6.88" W x 8.75" H x 6" D
 Weight: 5lbs.

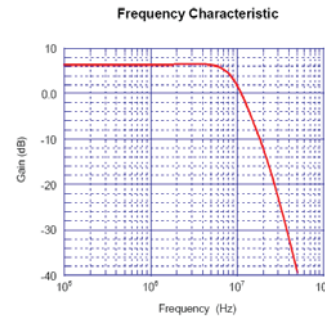
Environmental:

Operating Temperature: -40 deg C to +85 deg C
 Humidity: 5% to 95%, non-condensing



VDA:

Input Composite Video Signal: 1.0 Vpp.
 S/N Ratio: +60 dB typ.
 2nd Distortion: -40 dB typ.
 LPF Characteristics:



Ordering Information:

RVSFB120X: Panel Mount Field Box, less Enclosure
 RVSFB120XE: Panel Mount Field Box with Enclosure