



## Features:

- Quad-stream support of dual H.264, MPEG-2, MPEG-4, MJPEG
- Image quality monitor and tamper detector
- 35x optical zoom/12x digital zoom
- Day/night with IR-cut filter/WDR/BLC
- NEMA TS 2 certified
- Electronic image stabilization
- 400°/second preset targeting
- 360 degree continuous rotation
- 256 presets/8 programmable cruises
- Two-way audio; digital I/O
- Analog output/optical output options

The RVSHSD626/N is an outdoor High speed PTZ dome camera with exceptional imaging controls to provide excellent pictures even in the most difficult circumstances.

### High-speed dome

The RVSHSD626/N high-speed dome camera combines a 35x autofocus zoom lens with 12x digital zoom. Precision 400° per second pan and tilt drive technology offers almost instant preset positioning. This camera's robust feature set includes multiple sequences, cruises and autopan functions.

### Image quality monitor and tampering alarm

The RVSHSD626/N is fitted with video analytics to check the health of the camera. This image quality monitor analyzes contrast, exposure, sharpness and noise. Camera tampering analytics detect any changes in the camera's position or field of view. The instant a camera is subject to failure or tampering, an alert can be raised.

### Enhanced video quality

Modern flat LCD monitors show artifacts with standard PAL or NTSC video. Standard de-interlacing loses half of the vertical resolution. Siqura's sophisticated de-interlacing scheme optimizes vertical resolution resulting in superior video image without artifacts.

### Open Streaming Architecture (OSA)

The RVSHSD626/N is designed with OSA offering standardized streaming video and remote control based on international standards and tested with different vendors. A comprehensive HTTP API gives access to all controls and makes integration easy. In addition, the RVSHSD626/N supports the unique Siqura® MX™ protocol.

### Multistream/multicodec

The versatile RVSHSD626/N is capable of quad streaming, with dual H.264 streams simultaneous with two flexible encoding outputs which can provide MPEG-2, MPEG-4 or MJPEG streams. Each stream is optimized for its purpose. The H.264 implementation is based on dedicated hardware resulting in unparalleled video quality.

### Day/night, backlight compensation and wide dynamic range

The RVSHSD626/N provides automatic day/night functionality, for use in low light situations. Backlight compensation enhances image visibility in difficult lighting situations. This ensures quality pictures at all times. Wide dynamic range solves the problem of overlit images by taking the better of two pictures with different light references.

### NEMA TS 2

The RVSHSD626/N has been tested and approved according to the NEMA TS 2 standard.

### Audio, I/O contacts and analog output

By combining streaming video with duplex audio and I/O contacts over IP, the RVSHSD626/N provides all the interfaces necessary for any IP CCTV application. The RVSHSD626/N is a hybrid solution and can provide local video for a public view monitor or local DVR.

### Image Stabilizer

When the camera is in its maximum zoom range, every small movement of the camera gives relatively large movement in the picture. The image stabilizer digitally compensates this movement for a stable picture. This feature is especially useful for pole-mounted cameras.

### SFP interface accessory

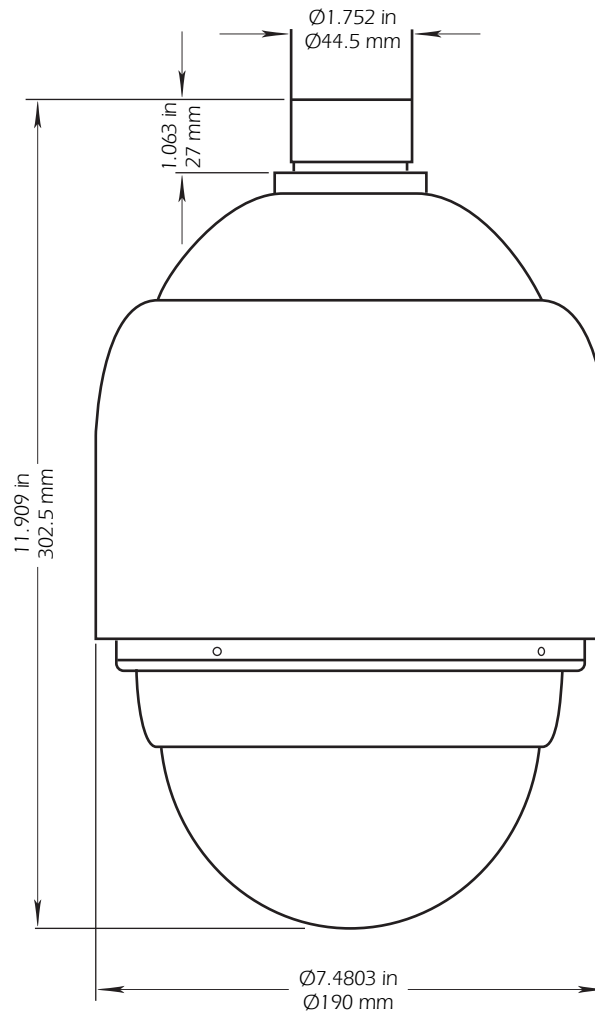
The RVSHSD626/N comes with an SFP interface as an alternative to the RJ-45 Cat5 Ethernet connection. It supports the XNet SFP range for Ethernet over fiber and the ECO-plug™ for Ethernet over coax.

FUNCTIONS	
Privacy masks	8 (black/white/mosaic)
Directional on-screen display	Compass direction, azimuth, elevation
PTZ coordinate data	Via API or Pelco-D (set/get)
Electronic image stabilizer	On/off (5 Hz/10 Hz)
VIDEO	
Number of video streams	2x H.264, 2x MPEG-4, MPEG-2, and/or MJPEG
Frame rate	1 to 30 fps
Compression algorithm(s)	H.264 BP (ISO/IEC 14496-10), MPEG-4 SP Layer 5 (ISO/IEC 14496-2), MPEG-2 (ISO/IEC 13818-2), MJPEG
Types of streaming	UDP/IP (multicast and/or unicast), TCP/IP (RTP over RTSP)
Number of output streams	Up to 20
Video motion detection	Yes (user-defined masking)
Encoding latency	< 130 ms typ
GOP structure	I, IP selectable/user profiles
Quad streaming	2x D1 at 30 fps H.264 + D1 at 30 fps MPEG-4 + CIF at 1 fps MJPEG
Output data rate	Up to 20 Mb/s (CBR or VBR selectable/user profiles)
Video settings	User profiles, contrast, brightness, color, saturation, hue, sharpness
On-screen display	3x text lines (configurable: position, color, border/outline color, font size) 1x image in BMP, GIF or JPEG format (configurable: position, scaling)
AUDIO	
Two-way audio	Line out, line in/mic in (jack Ø3.5 mm)
CONTACT CLOSURES	
Inputs	8
Outputs	1
Reactions	Preset, sequence, auto pan, cruise
NETWORK	
Interfaces	RJ-45 (factory installed) or SFP cage (accessory included); SFP modules not included
Protocols	H.264 BP, MPEG-4 ES, MPEG-2 RTP, UDP, IP, DHCP, IGMPv2, RTSP, (S)NTP, MX/IP, HTTP, SNMP v2, DiffServ, SAP, UPnP, ONVIF
POWERING	
Power consumption	73 W
Power	19.2 - 28.4 VAC (24 VAC nominal +/- 20%)
ENVIRONMENTAL	
Operating temperature	Continuous -45 °C to +60 °C (-49 °F to +140 °F), 74 °C maximum
Ingress protection	IP66

CAMERA	
Image sensor	1/4" CCD
Image resolutions	NTSC/PAL
D1	720 x 480/720 x 576
1/2D1	352 x 480/352 x 576
2CIF	720 x 240/720 x 288
CIF	352 x 240/352 x 288
QCIF	176 x 120/176 x 144
Image resolution - horizontal	540 TVL/540 TVL
Effective pixels	410 k/470 k
Electronic shutter	1~1/30 k s
Signal-to-noise ratio	>50 dB (AGC off)
Minimum scene illumination	0.1 lux color, 0.01 lux (b/w)
Video output	1 Vpp, 75 Ω, RJ-45, BNC
Focal length	3.4~119 mm
Focus mode	Auto/manual
IMAGE CONTROL	
Wide dynamic range	On/off (ratio/, shutter, iris levels 0-128)
Backlight compensation	On/off
White balance	Auto/manual
Iris control	Auto/manual
Automatic gain control	Auto/manual
Day/night (IR-cut filter)	On/off
Digital slow shutter	On/off
Digital zoom	12x
Optical zoom	35x
PAN / TILT	
Pan travel	360° continuous
Tilt travel	-10°~190°
Preset speed	400°/s
Manual speed	0.5°~90°/s
Presets	256 presets
Preset accuracy	+/- .100°
Cruise	8
Sequence	8
Auto pan	4
Proportional pan and tilt	On/off
Resume after power loss	Yes
Zone title	16
Home function	Preset, sequence, auto pan, cruise
Auto flip	Digital, mechanical, off

NEMA TS 2 CERTIFICATION	
Low Temperature Low Voltage	NEMA TS 2 Section 2.2.7.3 Test C
Low Temperature High Voltage	NEMA TS 2 Section 2.2.7.4 Test D
High Temperature High Voltage	NEMA TS 2 Section 2.2.7.5 Test E
High Temperature Low Voltage	NEMA TS 2 Section 2.2.7.6 Test F
Power Interruption 500 mSec	NEMA TS 2 Section 2.2.10.1
Power Interruption 1000 mSec	NEMA TS 2 Section 2.2.10.1
Vibration	NEMA TS 2 Section 2.2.8
Shock	NEMA TS 2 Section 2.2.9

MECHANICAL	
Dimensions	Ø190 x 302.5mm (Ø7.5 x 11.9 in)
Weight	2.6 kg (5.7 lbs)
Housing	Aluminum
Color	RAL 9003 (signal white)
Sunshield	ABS/polycarbonate blend
Bubble	Optically clear polycarbonate
Impact rating	IK10



## Accessories:

Mounts	
RVSDWM19S	Wall Mount with Strut, Black Finish
RVSDWM19SS	Wall Mount with Strut, Aluminum Finish
RVSPRM100B	Parapet and Flat Roof Mount
RVSPMA-Astro	Pole Mount Adapter, AstroBrac
RVSPMA18BL	Pole Mount Adapter, Black
RVSPMA18BS	Heavy Duty Pole Mount Adapter, Black with Strut
RVSPMA18SS	Heavy Duty Pole Mount Adapter, Aluminum with Strut
RVSCOWS	Camera outdoor weatherseal with sealed 1 1/2" NPT fitting and gas/vapor membrane for air exchange.

Power Supplies	
RVSFB120IPR	Field box power supply, rack mount
RVSFB120X2	Field box power supply, panel mount with local control

Cables	
RVSCOMCAB1	Composite video/network cable, custom lengths
Remote Composite Cable	Composite cable for long distance applications
Dome Mating Cable	Composite cable with connector for quick camera disconnect
Dome Pigtail Cable	Camera cable with connector for quick camera disconnect
Hybrid Camera Composite Cable	Composite cable for hybrid Analog/IP cameras, custom lengths
7/C Composite Cable	Composite video network cable without alarm conductors, custom lengths

Compatible Devices	
RV3000E	Ethernet Joystick Camera Controller
RV3000USB	USB Joystick Camera Controller

### System Compatibility

These high speed dome systems are supported by a comprehensive line of video management systems and accessories. Treehaven's RVS10000 Series Network Video Controller provides network based client and joystick control, video recording and processing capabilities.

## Ordering Information:

RVSHSD626 /N:	High-speed PTZ dome camera, IP, wide dynamic range, day/night, IP66, including sunshield (NTSC)
RVSHSD626 /P:	High-speed PTZ dome camera, IP, wide dynamic range, day/night, IP66, including sunshield (PAL)