

RVSFB120IPR



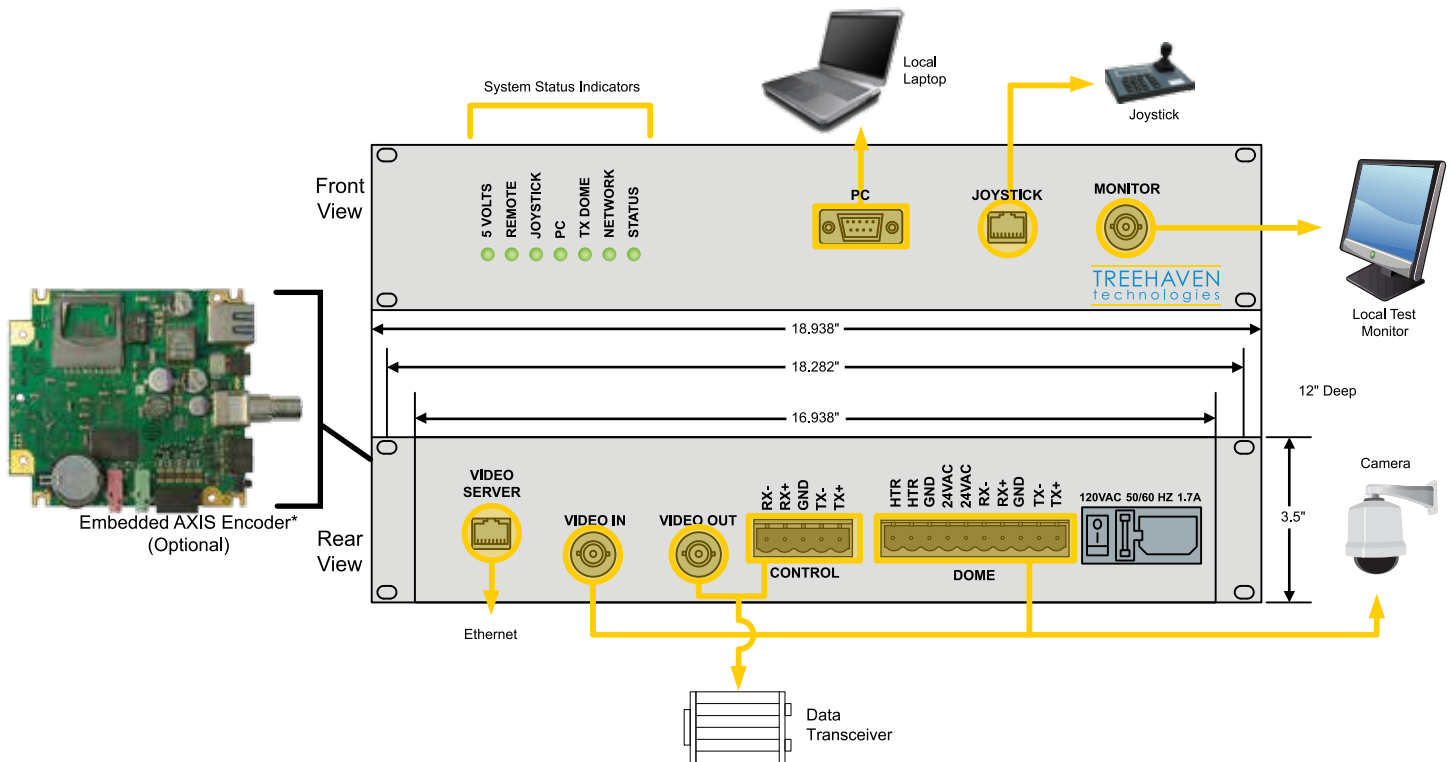
Back



Front

Features:

- Optional Embedded AXIS Encoder
- Remote Diagnostics
- Text overlay to report system health status and other system parameters. Text overlay can be turned ON and OFF remotely using a predefined PreSet command
- Heater current and power factor detection. Reports heater failure and displays status on video image
- Video loss detection. Reports video loss and generates sync signal with "Loss of Video" message on blue screen
- Loss of data detection. Reports loss of PTZ data and displays status on video image
- Surge suppression on data, video and power connections
- Plug in connection for local joystick controller
- Plug in connection for laptop computer providing PTZ control and camera setup and configuration
- Auto-sensing of joystick, serial and remote data connections
- Video connection for local test monitor



Electrical

AC Input Voltage: 120VAC 50/60 Hz
 Dome Power Output: 24V, 80W, 50/60 Hz

Power Transformer:

Power Rating: 80 VA
 4000VRMS Hipot
 Class F insulation (155 Degrees C)

Agency Certifications

- UL 1446 E66312
- UL recognized to UL 506 / UL 5085-2, File # E63829
- CSA certified to C22.2 No 66.1, File # 221070
- VDE certified to VDE 0805 / EN 60950, File # 1448

Surge Suppression Data Ports:

Peak Surge Current (8 x 20 μ S): 10kA
 Response Time: <1 nS
 Voltage Clamp: 6V
 Technology: Hybrid
 Resistance: 5.4 Ω
 Impulse Life (10/1000 μ S 500A): 400 times
 EFT IEC 1000-4-4 and IEC 1000-4-2

Surge Suppression Video Ports:

Peak Surge Current (8 x 20 μ S): 10 kA
 Response Time: <1 nS
 Voltage Clamp: 8V
 Technology: Hybrid
 DC Resistance: 2.7 Ω
 Impulse Life (10/1000 μ S 500A): 400 times
 EFT IEC 1000-4-4 and IEC 1000-4-2

Surge Suppression AC Main:

Peak Pulse Current (8 x 20 μ S): 4500A
 Peak Pulse Energy (10 x 1000 μ S): 75J
 Max Clamping Voltage (8 x 20 μ S): 710V

Environmental

Operating Temperature: -34°C to 60°C
 Humidity: 5% to 95%, non-condensing

Data

Joystick: RS-422, Rx+, Rx-, Tx+, Tx-
 Laptop: RS-232, Tx, Rx, Gnd
 Remote Control: RS-422, Rx+, Rx-, Tx+, Tx-

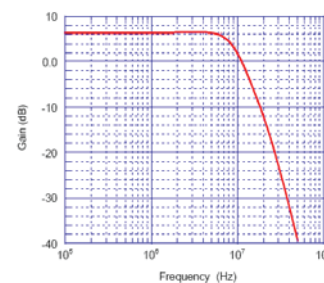
Video

Video Input: BNC, 75 Ohms, NTSC, 1 Vpp
 Video Output: BNC, 75 Ohms, NTSC, 1 Vpp
 Monitor Output: BNC, 75 Ohms, NTSC, 1 Vpp

VDA:

Input Composite Video Signal: 1.0 Vpp.
 S/N Ratio: +60 dB typ.
 2nd Distortion: -40 dB typ.

Frequency Characteristic



Ordering Information:

RVSFB120IPR: Base Model
 RVSFB120IPR-A: Base with optional Alarm Inputs
 RVSFB120IPRA: Base with optional AXIS Encoder*
 RVSFB120IPRA-A: Base with optional Alarm Inputs & AXIS Encoder*

* See attached Embedded AXIS Video Encoder specs