

RVSFB120X2

Features:

- Optional Embedded AXIS Encoder
- Multi-level surge suppression on data, video and power lines
- Built in Video DA with video output for test monitor connection
- Supports Diamond, Honeywell, Bosch, Vicon, Pelco, COHU and Panasonic Protocols
- Rugged design at low cost
- Available with NEMA 4X enclosure
- Small footprint: 6.88" W x 8.75" H x 7" D
- Power On/Off switch

Electrical:

AC Input Voltage: 120VAC 50/60 Hz, Fused 2ASB
Dome Power Output: 24V, 80W, 50/60 Hz

Power Transformer:

Power Rating: 130 VA
4000VRMS Hipot
Class F insulation (155°C)
UL Recognized
TUV Type Approval
CE Certified to IEC 950

Surge Suppression Data Ports:

Peak Surge Current (8 x 20 μ S): 10kA
Response Time: <1 nS
Voltage Clamp: 6V
Technology: Hybrid
Resistance: 5.4 Ω
Impulse Life (10/1000 μ S 500A): 400 times
EFT IEC 1000-4-4 and IEC 1000-4-2

Surge Suppression Video Ports:

Peak Surge Current (8 x 20 μ S): 10 kA
Response Time: <1 nS
Voltage Clamp: 8V
Technology: Hybrid
DC Resistance: 2.7 Ω
Impulse Life (10/1000 μ S 500A): 400 times
EFT IEC 1000-4-4 and IEC 1000-4-2

Surge Suppression AC Main:

Peak Pulse Current (8 x 20 μ S): 4500A
Peak Pulse Energy (10 x 1000 μ S): 75J
Max Clamping Voltage (8 x 20 μ S): 710V

PTZ Data Input:

Joystick: RS-422, Rx+, Rx-, Tx+, Tx-

PC: RS-232, Tx, Rx, Gnd

Remote Control: RS-422, Rx+, Rx-, Tx+, Tx-

Dome:

RS-422/485, Rx+, Rx-, Tx+, Tx-

Video:

Video In: BNC, 75 Ohms

Video Out: BNC, 75 Ohms

Test Monitor: BNC, 75 Ohms

Mechanical:

Dimensions (without enclosure):

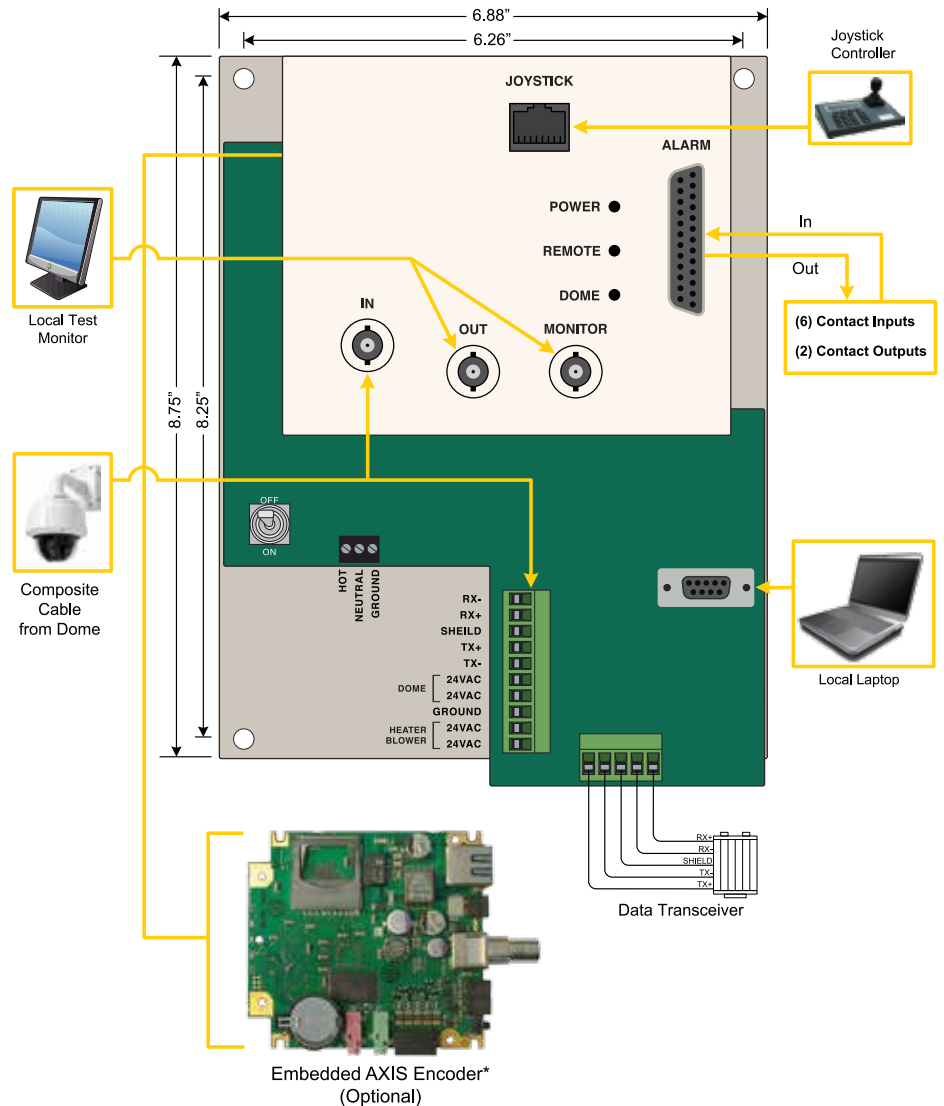
6.88" W x 8.75" H x 7" D

Weight: 5lbs.

Environmental:

Operating Temperature: -40°C to +85°C

Humidity: 5% to 95%, non-condensing



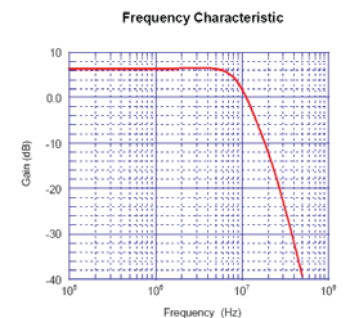
VDA:

Input Composite Video Signal: 1.0 Vpp.

S/N Ratio: +60 dB typ.

2nd Distortion: -40 dB typ.

LPF Characteristics:



Ordering Information:

RVSFB120X2: Base Model

RVSFB120X2-A: Base with optional Alarm Contact I/O

RVSFB120X2A: Base with optional Embedded AXIS Encoder*

RVSFB120X2A-A: Base with optional Alarm Contact I/O and Embedded AXIS Encoder*

Note: Add "E" suffix for NEMA4X Enclosure to the above part number. Example: RVSFB120X2AE